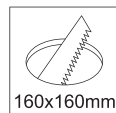
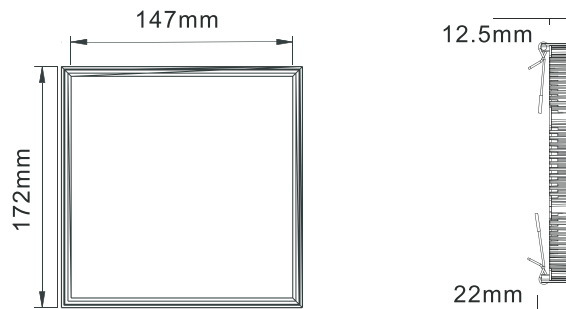


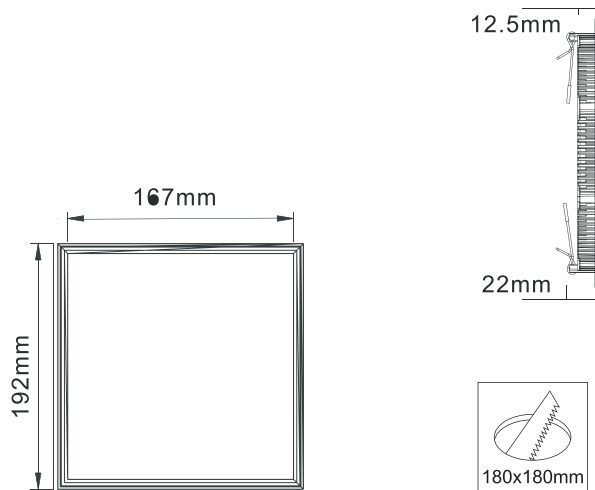
12W Square Panel Light



Item number:	MBD-S172
Size:	172x172xH22 mm
LED type:	SMD 2835
Voltage:	AC100-240V
PF:	0.9
CRI:	80Ra
CCT:	3000K/4000K/6000K
Luminous flux:	720/780/840 lm
Luminous efficiency:	60/65/70 lm/W
Material:	AL+PMMA+PS



15W Square Panel Light



Item number:	MBD-S192
Size:	192x192xH22 mm
LED type:	SMD 2835
Voltage:	AC100-240V
PF:	0.9
CRI:	80Ra
CCT:	3000K/4000K/6000K
Luminous flux:	900/975/1050 lm
Luminous efficiency:	60/65/70 lm/W
Material:	AL+PMMA+PS

