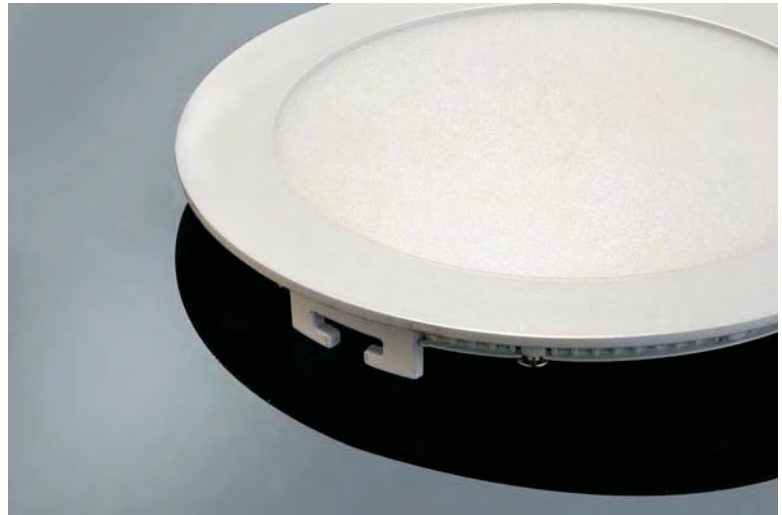
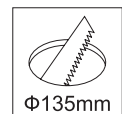
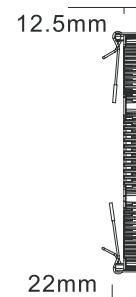
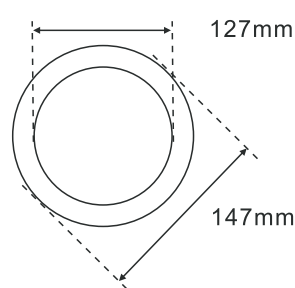


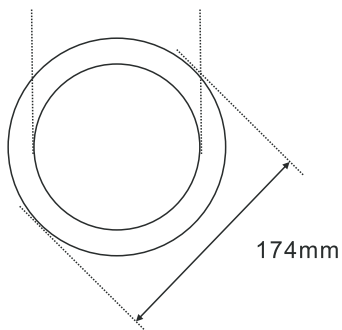
9W Economical Panel Light



Item number: MBD-R147
 Size: $\Phi 147 \times H 22$ mm
 LED type: SMD 2835
 Voltage: AC100-240V
 PF: 0.9
 CRI: 80Ra
 CCT: 3000K/4000K/6000K
 Luminous flux: 540/585/630 lm
 Luminous efficiency: 60/65/70 lm/W
 Material: AL+PMMA+PS



12W Economical Panel Light



Item number: MBD-R174
 Size: $\Phi 174 \times H22$ mm
 LED type: SMD 2835
 Voltage: AC100-240V
 PF: 0.9
 CRI: 80Ra
 CCT: 3000K/4000K/6000K
 Luminous flux: 720/780/840 lm
 Luminous efficiency: 60/65/70 lm/W
 Material: AL+PMMA+PS

