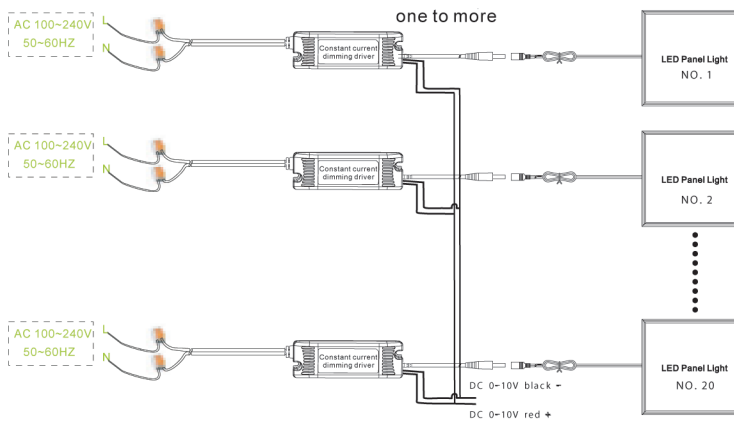
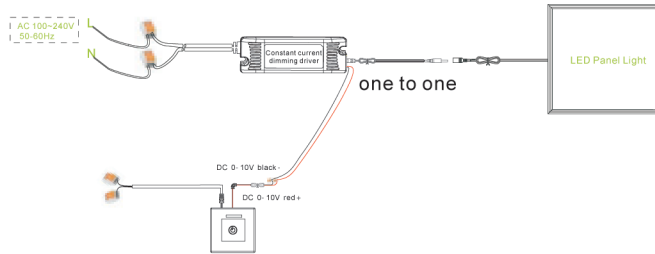


# Dimmable Panel Light

## 0-10V Driver Electrical Connection



# Dimmable Panel Light

## Dali Driver Electrical Connection

